

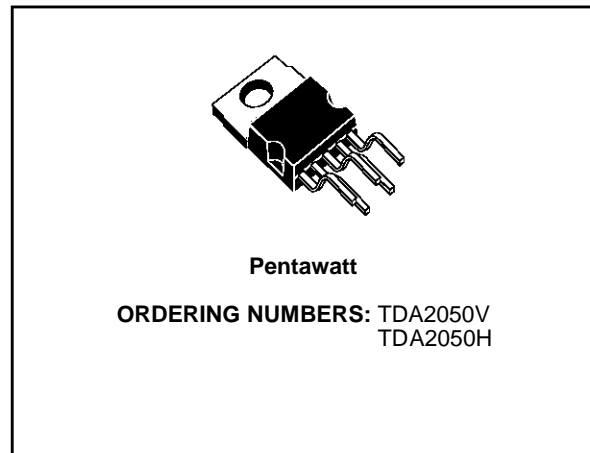
## 32W Hi-Fi AUDIO POWER AMPLIFIER

- HIGH OUTPUT POWER  
(50W MUSIC POWER IEC 268.3 RULES)
- HIGH OPERATING SUPPLY VOLTAGE (50V)
- SINGLE OR SPLIT SUPPLY OPERATIONS
- VERY LOW DISTORTION
- SHORT CIRCUIT PROTECTION (OUT TO GND)
- THERMAL SHUTDOWN

### DESCRIPTION

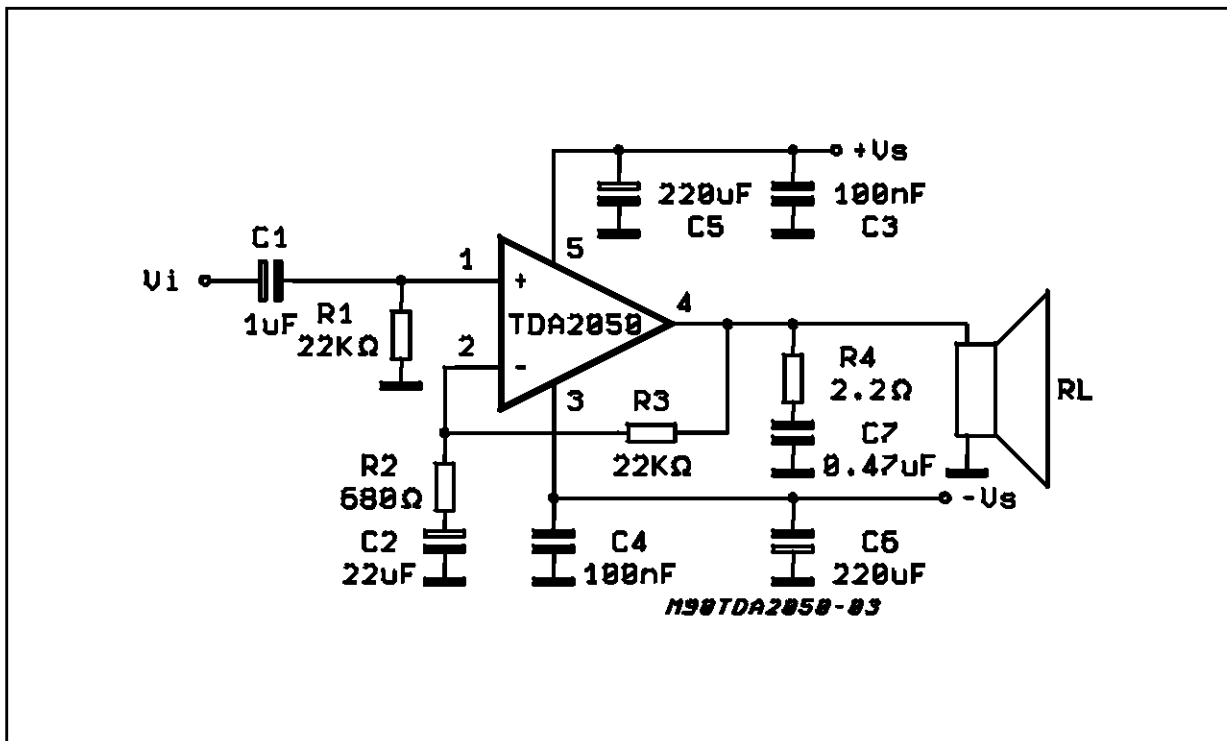
The TDA 2050 is a monolithic integrated circuit in Pentawatt package, intended for use as an audio class AB audio amplifier. Thanks to its high power capability the TDA2050 is able to provide up to 35W true rms power into 4 ohm load @ THD = 10%,  $V_s = \pm 18V$ ,  $f = 1KHz$  and up to 32W into 8ohm load @ THD = 10%,  $V_s = \pm 22V$ ,  $f = 1KHz$ .

Moreover, the TDA 2050 delivers typically 50W music power into 4 ohm load over 1 sec at  $V_s = 22.5V$ ,  $f = 1KHz$ .



The high power and very low harmonic and cross-over distortion (THD = 0.05% typ. @  $V_s = \pm 22V$ ,  $P_o = 0.1$  to 15W,  $R_L = 8ohm$ ,  $f = 100Hz$  to 15KHz) make the device most suitable for both HiFi and high class TV sets.

### TEST AND APPLICATION CIRCUIT

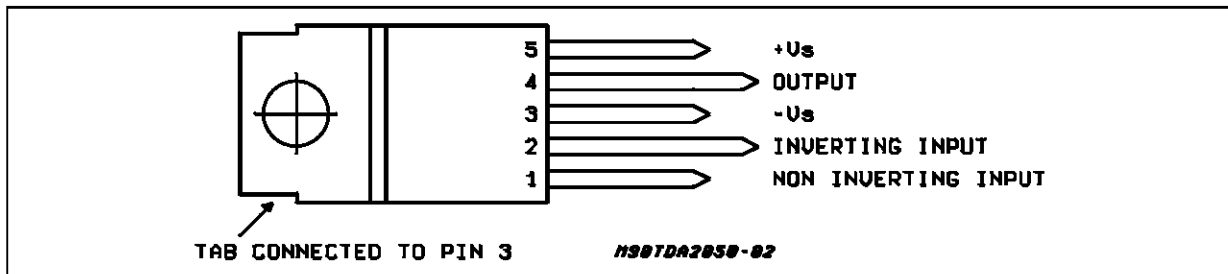


# TDA2050

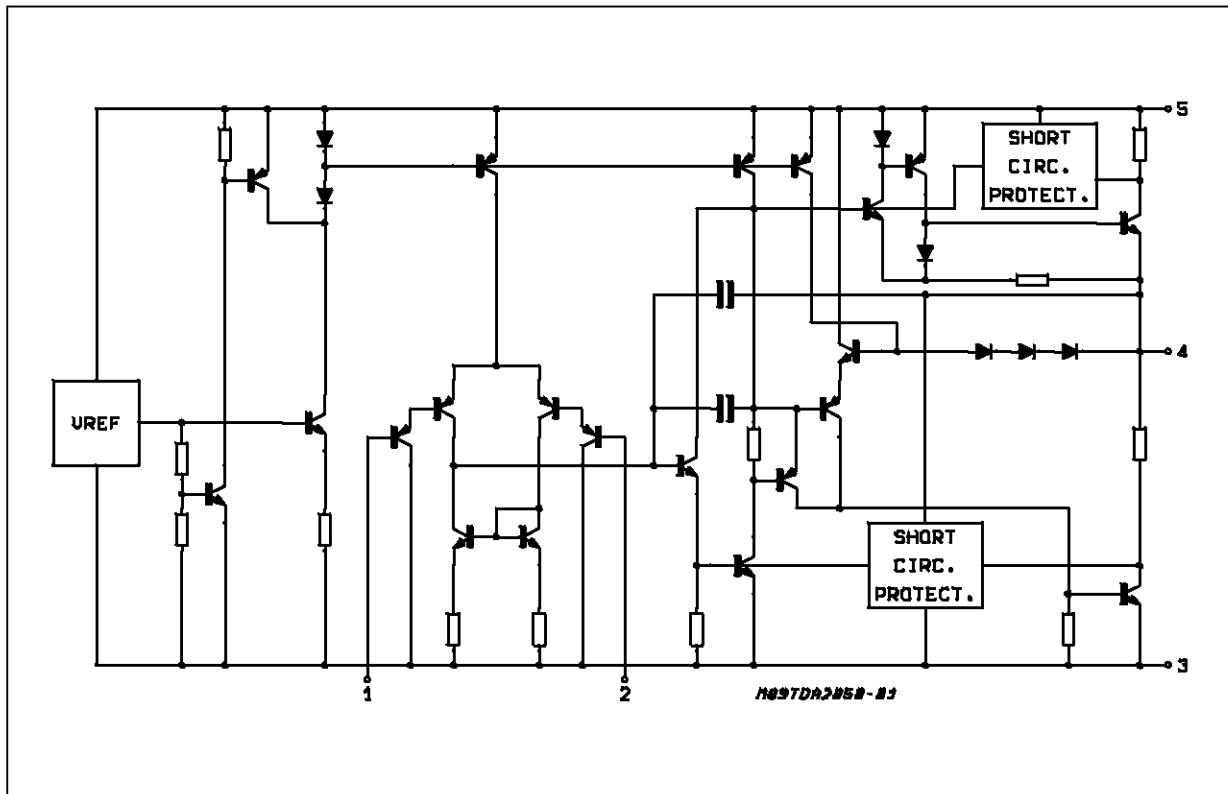
## ABSOLUTE MAXIMUM RATINGS

Symbol	Parameter	Value	Unit
$V_S$	Supply Voltage	$\pm 25$	V
$V_i$	Input Voltage	$V_S$	
$V_i$	Differential Input Voltage	$\pm 15$	V
$I_O$	Output Peak Current (internally limited)	5	A
$P_{tot}$	Power Dissipation $T_{CASE} = 75^\circ\text{C}$	25	W
$T_{stg}, T_j$	Storage and Junction Temperature	-40 to 150	$^\circ\text{C}$

## PIN CONNECTION (Top view)



## SCHEMATIC DIAGRAM



## THERMAL DATA

Symbol	Description	Value	Unit
$R_{th\ j-case}$	Thermal Resistance junction-case	Max 3	$^\circ\text{C/W}$

**ELECTRICAL CHARACTERISTICS** (Refer to the Test Circuit,  $V_S = \pm 18V$ ,  $T_{amb} = 25^\circ C$ ,  $f = 1\text{ kHz}$ ; unless otherwise specified)

Symbol	Parameter	Test Condition	Min.	Typ.	Max.	Unit
$V_S$	Supply Voltage Range		$\pm 4.5$		$\pm 25$	V
$I_d$	Quiescent Drain Current	$V_S = \pm 4.5V$ $V_S = \pm 25V$		30 55	50 90	mA mA
$I_b$	Input Bias Current	$V_S = \pm 22V$		0.1	0.5	$\mu A$
$V_{OS}$	Input Offset Voltage	$V_S = \pm 22V$			$\pm 15$	mV
$I_{OS}$	Input Offset Current	$V_S = \pm 22V$			$\pm 200$	nA
$P_O$	RMS Output Power	$d = 0.5\%$ $R_L = 4\Omega$ $R_L = 8\Omega$ $V_S = \pm 22V$ $R_L = 8\Omega$	24	28 18 25		W W W
		$d = 10\%$ $R_L = 4\Omega$ $R_L = 8\Omega$ $V_S = \pm 22V$ $R_L = 8\Omega$		35 22 32		W W W
		Music Power IEC268.3 RULES	$d = 10\%$ ; $T = 1s$ $V_S = \pm 22.5V$ ; $R_L = 4\Omega$		50	
d	Total Harmonic Distortion	$R_L = 4\Omega$ $f = 1\text{kHz}$ , $P_O = 0.1$ to $24W$ $f = 100\text{Hz}$ to $10\text{kHz}$ , $P_O = 0.1$ to $18W$		0.03	0.5 0.5	% %
		$V_S = \pm 22V$ $R_L = 8\Omega$ $f = 1\text{kHz}$ , $P_O = 0.1$ to $20W$ $f = 100\text{Hz}$ to $10\text{kHz}$ , $P_O = 0.1$ to $15W$		0.02	0.5	% %
SR	Slew Rate		5	8		V/ $\mu s$
$G_V$	Open Loop Voltage Gain			80		dB
$G_V$	Closed Loop Voltage Gain		30	30.5	31	dB
BW	Power Bandwidth (-3dB)	$R_L = 4\Omega$ $V_i = 200\text{mV}$	20 to 80,000			Hz
$e_N$	Total Input Noise	curve A B = 22Hz to 22kHz		4 5	10	$\mu V$ $\mu V$
$R_i$	Input Resistance (pin 1)		500			k $\Omega$
SVR	Supply Voltage Rejection	$R_S = 22\text{k}\Omega$ ; $f = 100\text{Hz}$ ; $V_{ripple} = 0.5V_{rms}$		45		dB
$\eta$	Efficiency	$P_O = 28W$ ; $R_L = 4\Omega$		65		%
		$P_O = 25W$ ; $R_L = 8\Omega$ ; $V_S = \pm 22V$		67		%
$T_{sd-j}$	Thermal Shut-down Junction Temperature			150		$^\circ C$

# TDA2050

Figure 1: Split Supply Typical Application Circuit

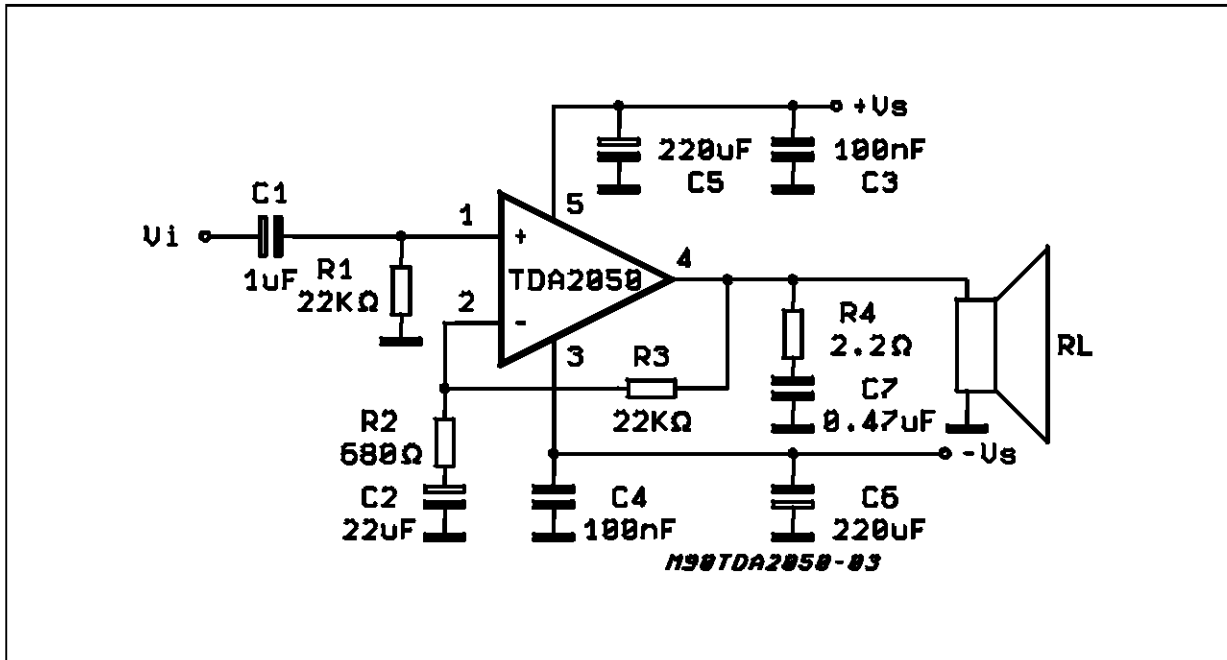
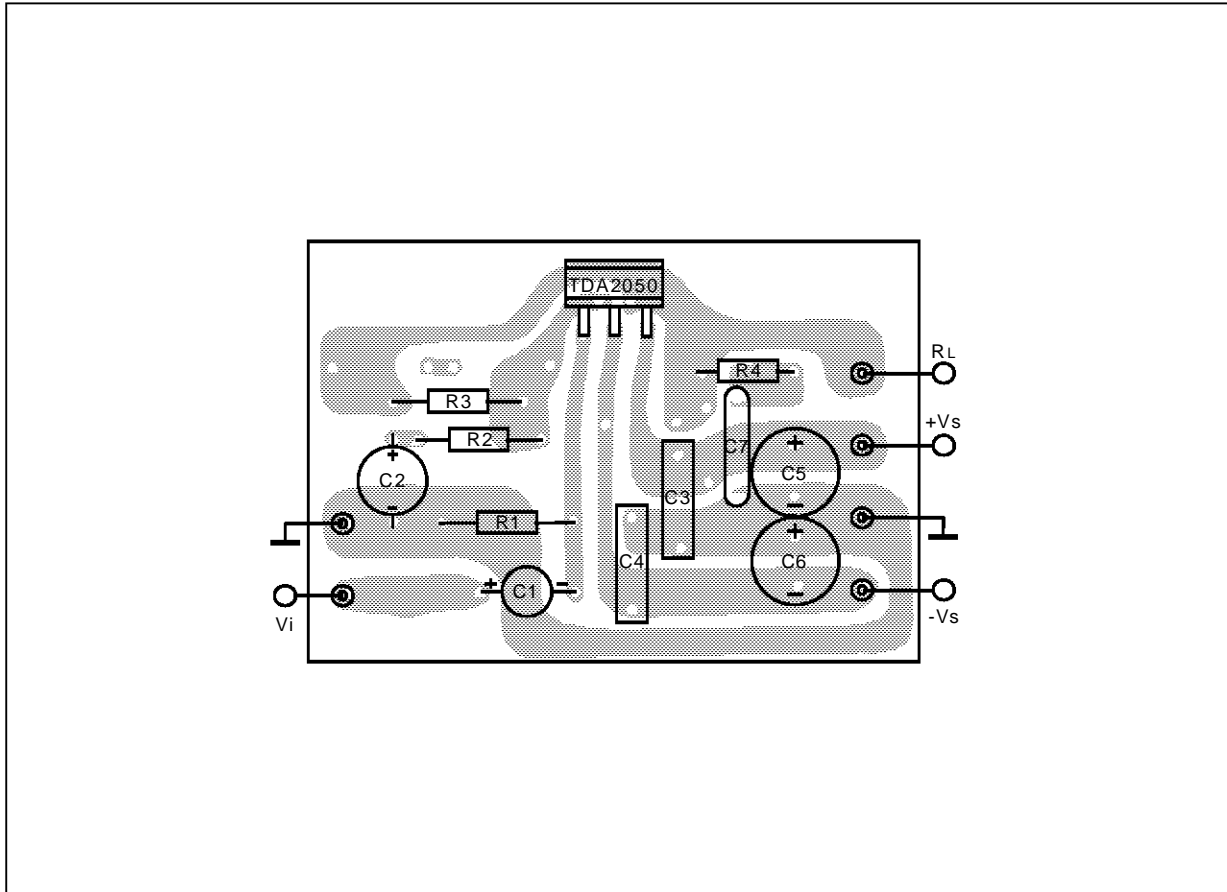


Figure 2: P.C. Board and Components Layout of the Circuit of Fig. 1 (1:1)



**SPLIT SUPPLY APPLICATION SUGGESTIONS**

The recommended values of the external components are those shown on the application circuit

of fig. 2. Different values can be used. The following table can help the designer.

Component	Recommended Value	Purpose	Larger than Recommended Value	Smaller than Recommended Value
R1	22k $\Omega$	Input Impedance	Increase of Input Impedance	Decrease of Input Impedance
R2	680 $\Omega$	Feedback Resistor	Decrease of Gain (*)	Increase of Gain
R3	22k $\Omega$		Increase of Gain	Decrease of Gain (*)
R4	2.2 $\Omega$	Frequency Stability	Danger of Oscillations	
C1	1 $\mu$ F	Input Decoupling DC		Higher Low-frequency cut-off
C2	22 $\mu$ F	Inverting Input DC Decoupling	Increase of Switch ON/OFF Noise	Higher Low-frequency cut-off
C3 C4	100nF	Supply Voltage Bypass		Danger of Oscillations
C5 C6	220 $\mu$ F	Supply Voltage Bypass		Danger of Oscillations
C7	0.47 $\mu$ F	Frequency Stability		Danger of Oscillations

(\*) The gain must be higher than 24dB

**PRINTED CIRCUIT BOARD**

The layout shown in fig. 2 should be adopted by the designers. If different layouts are used, the

ground points of input 1 and input 2 must be well decoupled from the ground return of the output in which a high current flows.

# TDA2050

Figure 3: Single Supply Typical Application Circuit

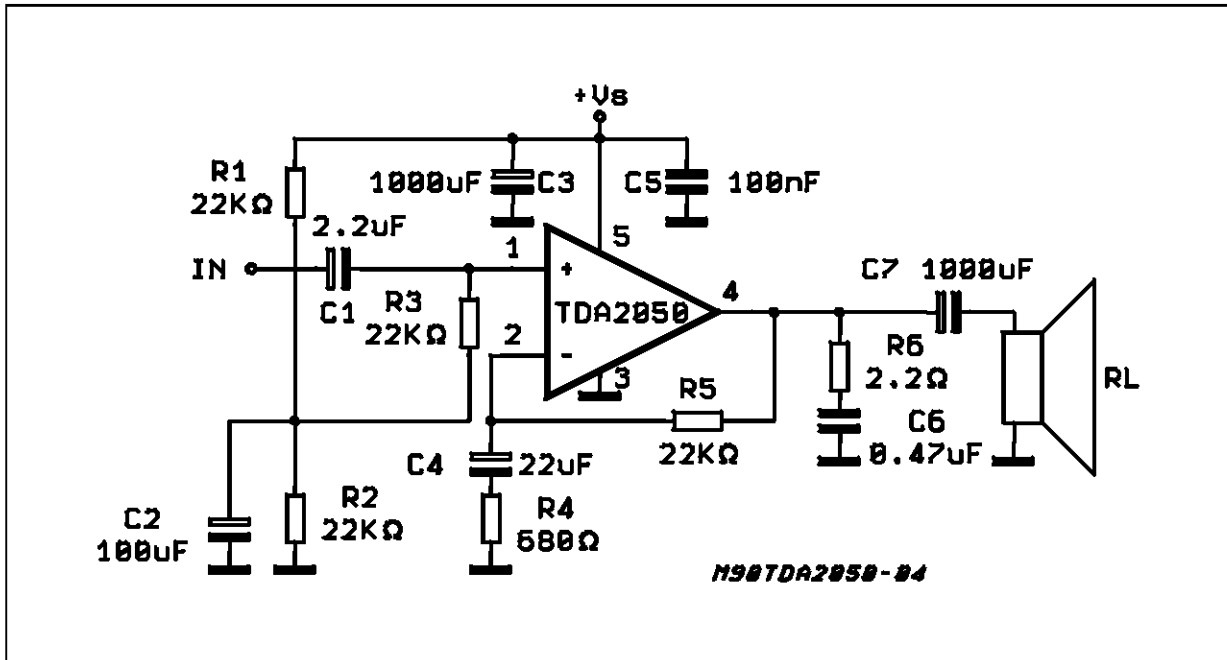
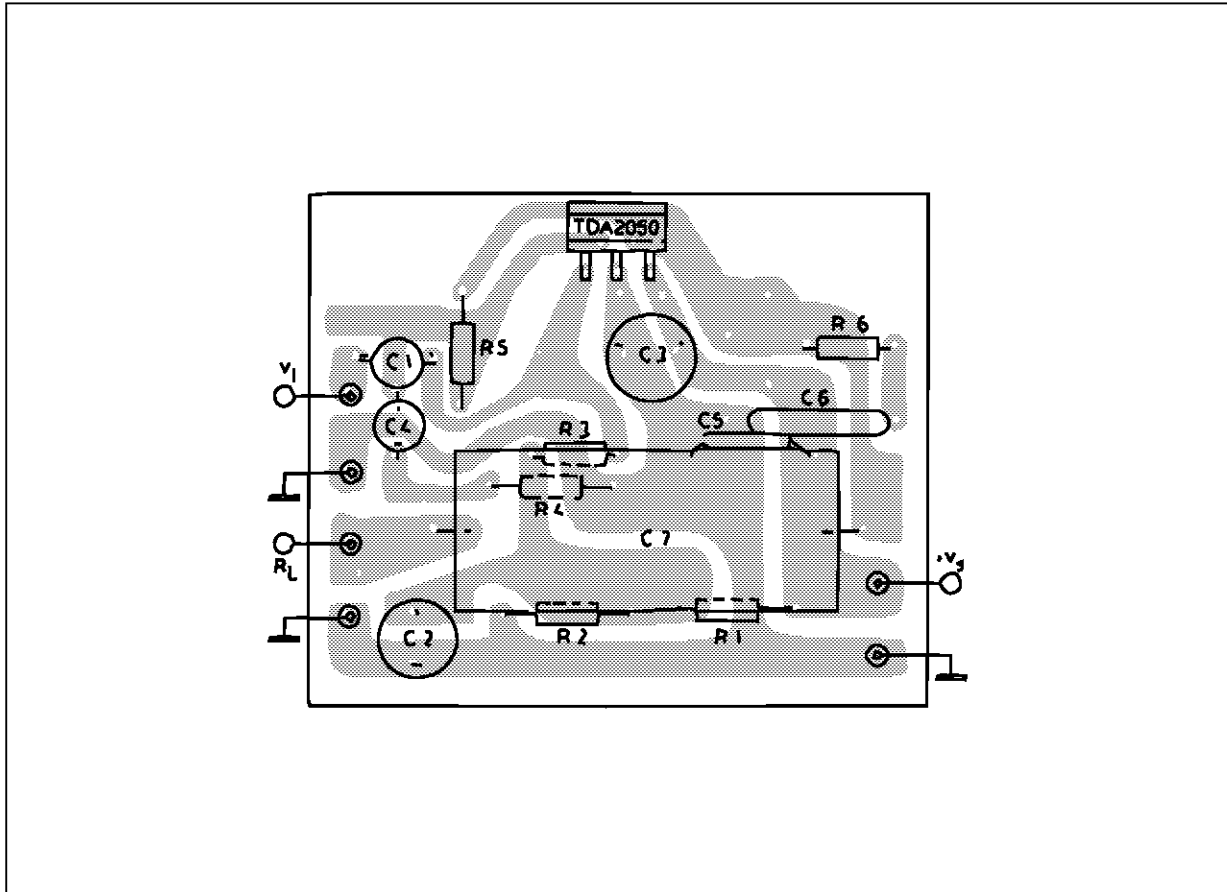


Figure 4: P.C. Board and Components Layout of the Circuit of Fig. 3 (1:1)



**SINGLE SUPPLY APPLICATION SUGGESTIONS**

The recommended values of the external components are those shown on the application circuit

of fig. 3. Different values can be used. The following table can help the designer.

Component	Recommended Value	Purpose	Larger than Recommended Value	Smaller than Recommended Value
R1, R2, R3	22kΩ	Biasing Resistor		
R4	22kΩ	Feedback Resistors	Increase of Gain	Decrease of Gain (*)
R5	680Ω		Decrease of Gain (*)	Increase of Gain
R6	2.2Ω	Frequency Stability	Danger of Oscillations	
C1	2.2μF	Input Decoupling DC		Higher Low-frequency cut-off
C2	100μF	Supply Voltage Rejection	Worse Turn-off Transient Worse Turn-on Delay	
C3	1000μF	Supply Voltage Bypass		Danger of Oscillations Worse of Turn-off Transient
C4	22μF	Inverting Input DC Decoupling	Increase of Switching ON/OFF	Higher Low-frequency cut-off
C5	100nF	Supply Voltage Bypass		Danger of Oscillations
C6	0.47μF	Frequency Stability		Danger of Oscillations
C7	1000μF	Output DC Decoupling		Higher Low-frequency cut-off

(\*) The gain must be higher than 24dB

**NOTE**

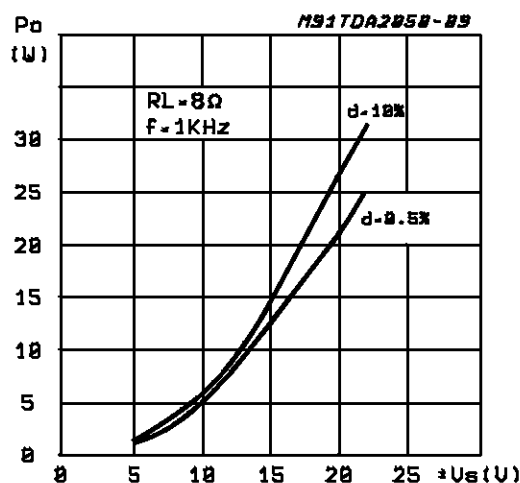
If the supply voltage is lower than 40V and the load is 8ohm (or more) a lower value of C2 can

be used (i.e. 22μF).

C7 can be larger than 1000uF only if the supply voltage does not exceed 40V.

**TYPICAL CHARACTERISTICS (Split Supply Test Circuit unless otherwise specified)**

**Figure 5: Output Power vs. Supply Voltage**



**Figure 6: Distortion vs. Output Power**

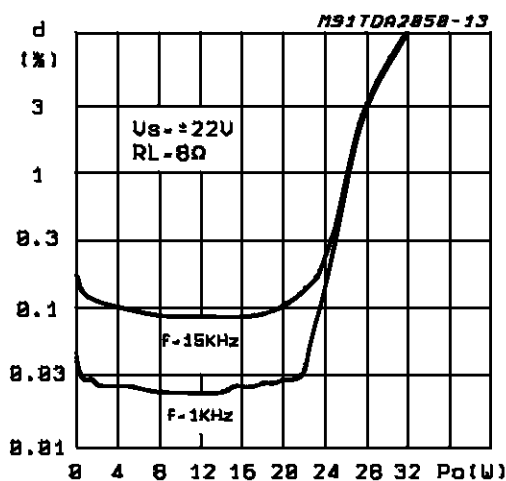


Figure 7: Output Power vs. Supply Voltage

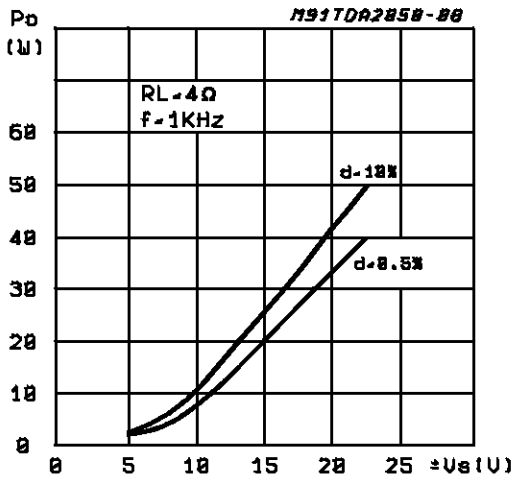


Figure 8: Distortion vs. Output Power

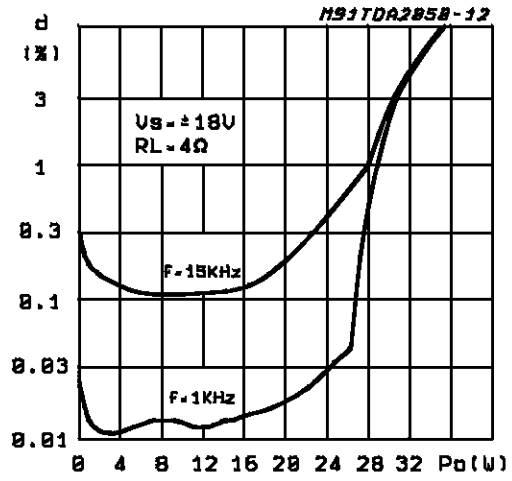


Figure 9: Distortion vs. Frequency

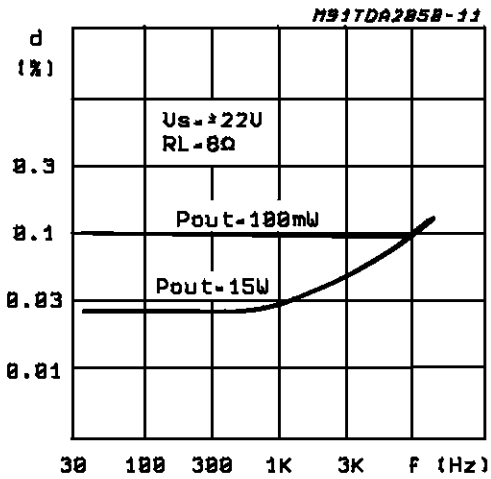


Figure 10: Distortion vs. Frequency

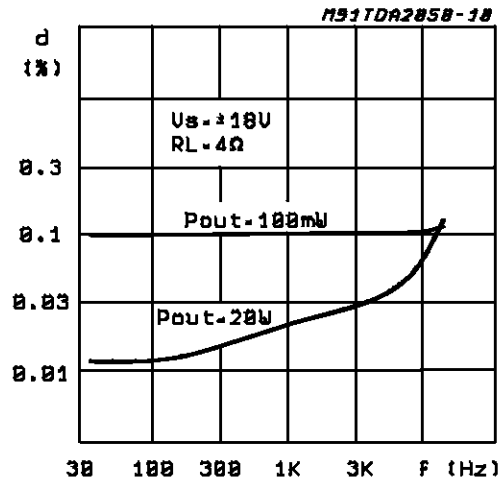


Figure 11: Quiescent Current vs. Supply Voltage

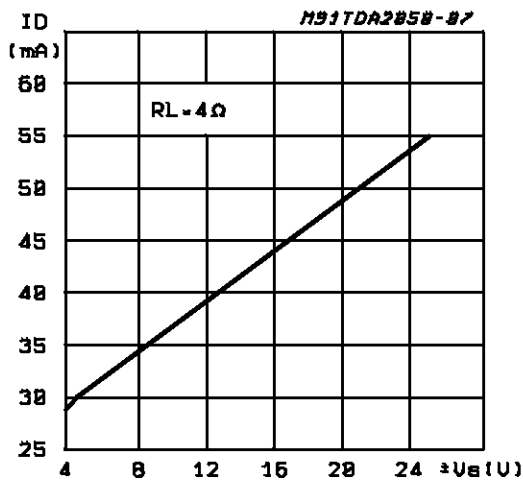
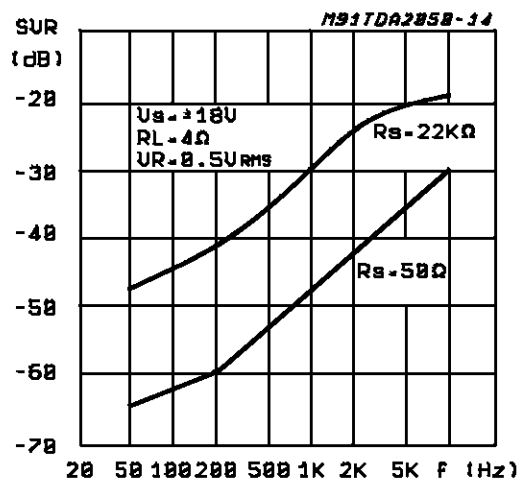
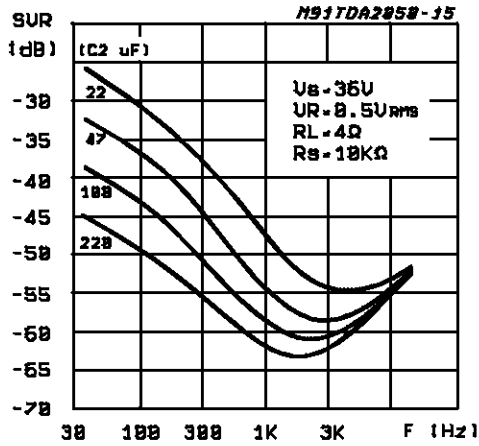


Figure 12: Supply Voltage Rejection vs. Frequency

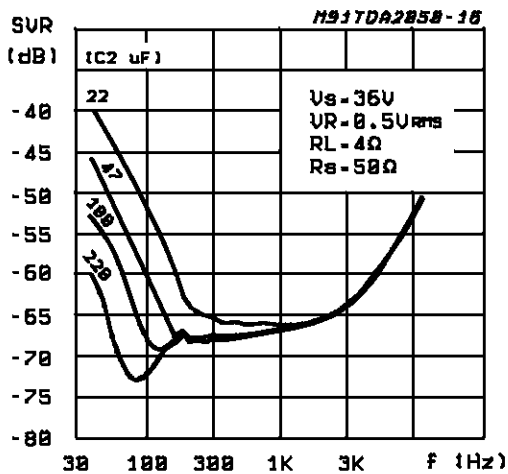




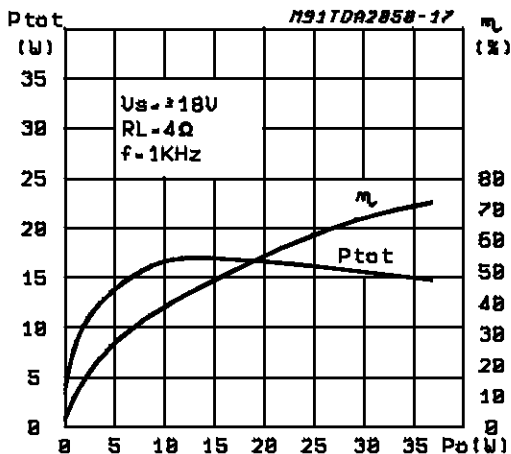
**Figure 13:** Supply Voltage Rejection vs. Frequency (Single supply) for Different values of C2 (circuit of fig. 3)



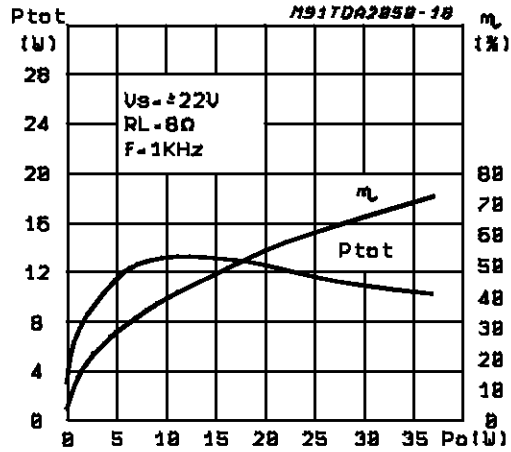
**Figure 14:** Supply Voltage Rejection vs. Frequency (Single supply) for Different values of C2 (circuit of fig. 3)



**Figure 15:** Total Power Dissipation and Efficiency vs. Output Power



**Figure 16:** Total Power Dissipation and Efficiency vs. Output Power



**SHORT CIRCUIT PROTECTION**

The TDA 2050 has an original circuit which limits the current of the output transistors. The maximum output current is a function of the collector emitter voltage; hence the output transistors work within their safe operating area. This function can therefore be considered as being peak power limiting rather than simple current limiting.

It reduces the possibility that the device gets damaged during an accidental short circuit from AC output to ground.

**THERMAL SHUTDOWN**

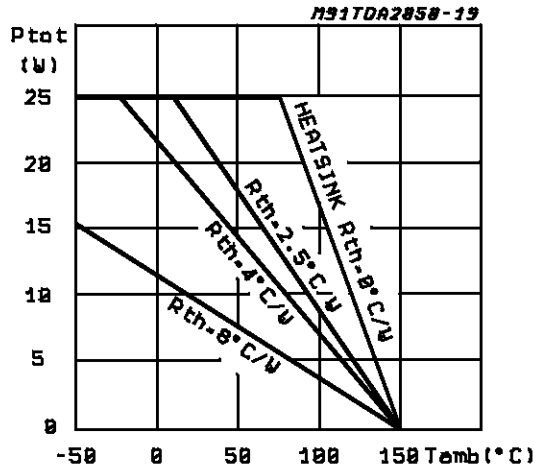
The presence of a thermal limiting circuit offers the following advantages:

- 1)An overload on the output (even if it is permanent), or an above limit ambient temperature can be easily tolerated since the  $T_j$  cannot be higher than  $150^{\circ}\text{C}$ .
- 2)The heatsink can have a smaller factor of safety compared with that of a conventional circuit. There is no possibility of device damage due to high junction temperature. If for any reason, the junction temperature increases up to  $150^{\circ}\text{C}$ , the thermal shutdown simply reduces the power dissipation and the current consumption.

The maximum allowable power dissipation depends upon the thermal resistance junction-ambi-

ent. Fig. 17 shows this dissipable power as a function of ambient temperature for different thermal resistance.

**Figure 17:** Maximum Allowable Power Dissipation vs. Ambient Temperature



**MOUNTING INSTRUCTIONS**

The power dissipated in the circuit must be removed by adding an external heatsink.

Thanks to the PENTAWATT package, the heatsink mounting operation is very simple, a screw or a compression spring (clip) being suffi-

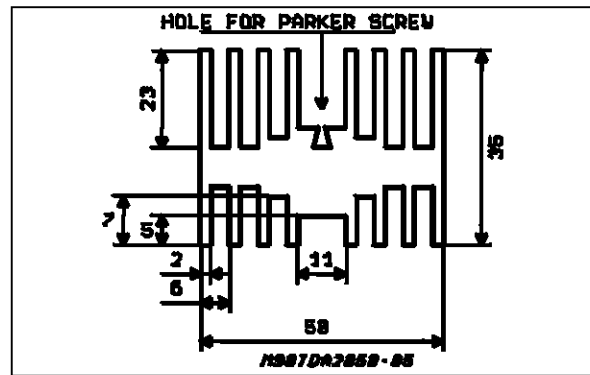
cient. Between the heatsink and the package is better to insert a layer of silicon grease, to optimize the thermal contact; no electrical isolation is needed between the two surfaces. Fig. 18 shows an example of heatsink.

**Dimension suggestion**

The following table shows the length that the heatsink in fig. 18 must have for several values of P<sub>tot</sub> and R<sub>th</sub>.

P <sub>tot</sub> (W)	12	8	6
Length of heatsink (mm)	60	40	30
R <sub>th</sub> of heatsink (°C/W)	4.2	6.2	8.3

**Figure 18:** Example of heat-sink



**APPENDIX A**

**A.1 - MUSIC POWER CONCEPT**

MUSIC POWER is (according to the IEC clauses n.268-3 of Jan 83) the maximum power which the amplifier is capable of producing across the rated load resistance (regardless of non linearity) 1 sec after the application of a sinusoidal input signal of frequency 1 KHz.

According to this definition our method of measurement comprises the following steps:

- Set the voltage supply at the maximum operating value;
- Apply a input signal in the form of a 1KHz tone burst of 1 sec duration: the repetition period of the signal pulses is 60 sec;
- The output voltage is measured 1 sec from the start of the pulse;
- Increase the input voltage until the output signal shows a THD=10%;
- The music power is then  $V_{out}^2 / RL$ , where V<sub>out</sub> is the output voltage measured in the condition of point 4 and RL is the rated load impedance;

The target of this method is to avoid excessive dissipation in the amplifier.

**A.2 - INSTANTANEOUS POWER**

Another power measurement (MAXIMUM INSTANTANEOUS OUTPUT POWER) was proposed by IEC in 1988 (IEC publication 268-3 sub-clause 19.A).

We give here only a brief extract of the concept, and a circuit useful for the measurement.

The supply voltage is set at the maximum operating value.

The test signal consists of a sinusoidal signal whose frequency is 20 Hz, to which are added alternate positive and negative pulses of 50 μs duration and 500 Hz repetition rate. The amplitude of the 20 Hz signal is chosen to drive the amplifier to its voltage clipping limits, while the amplitude of the pulses takes the amplifier alternately into its current-overload limits.

A circuit for generating the test signal is given in fig. 19.

The load network consists of a 40  $\mu$ F capacitor, in series with a 1 ohm resistor. The capacitor limits the current due to the 20 Hz signal to a low value, whereas for the short pulses the effective load impedance is of the order of 1 ohm, and a high output current is produced.

Using this signal and load network the measurement may be made without causing excessive dissipation in the amplifier. The dissipation in the 1 ohm resistor is much lower than a rated output

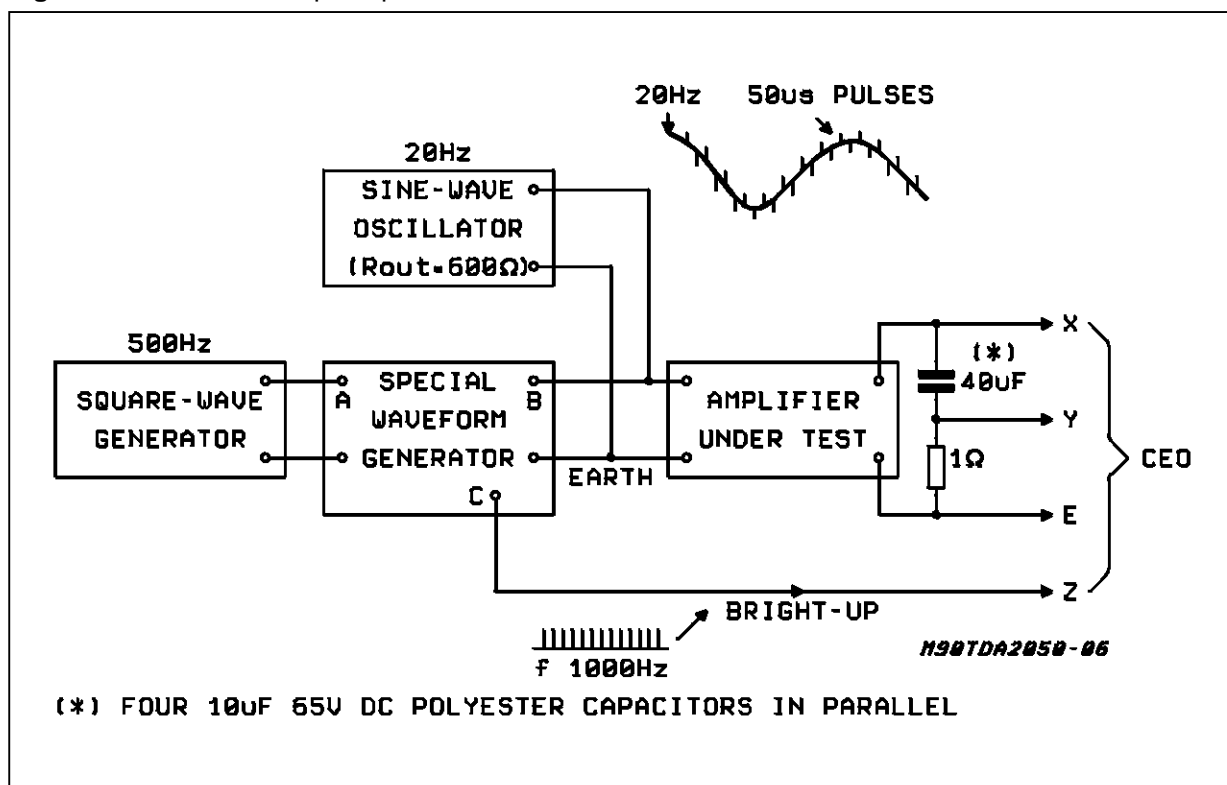
power of the amplifier, because the duty-cycle of the high output current is low.

By feeding the amplifier output voltage to the X-plates of an oscilloscope, and the voltage across the 1 ohm resistor (representing the output current) to the Y-plates, it is possible to read on the display the value of the maximum instantaneous output power.

The result of this test applied at the TDA 2050 is:

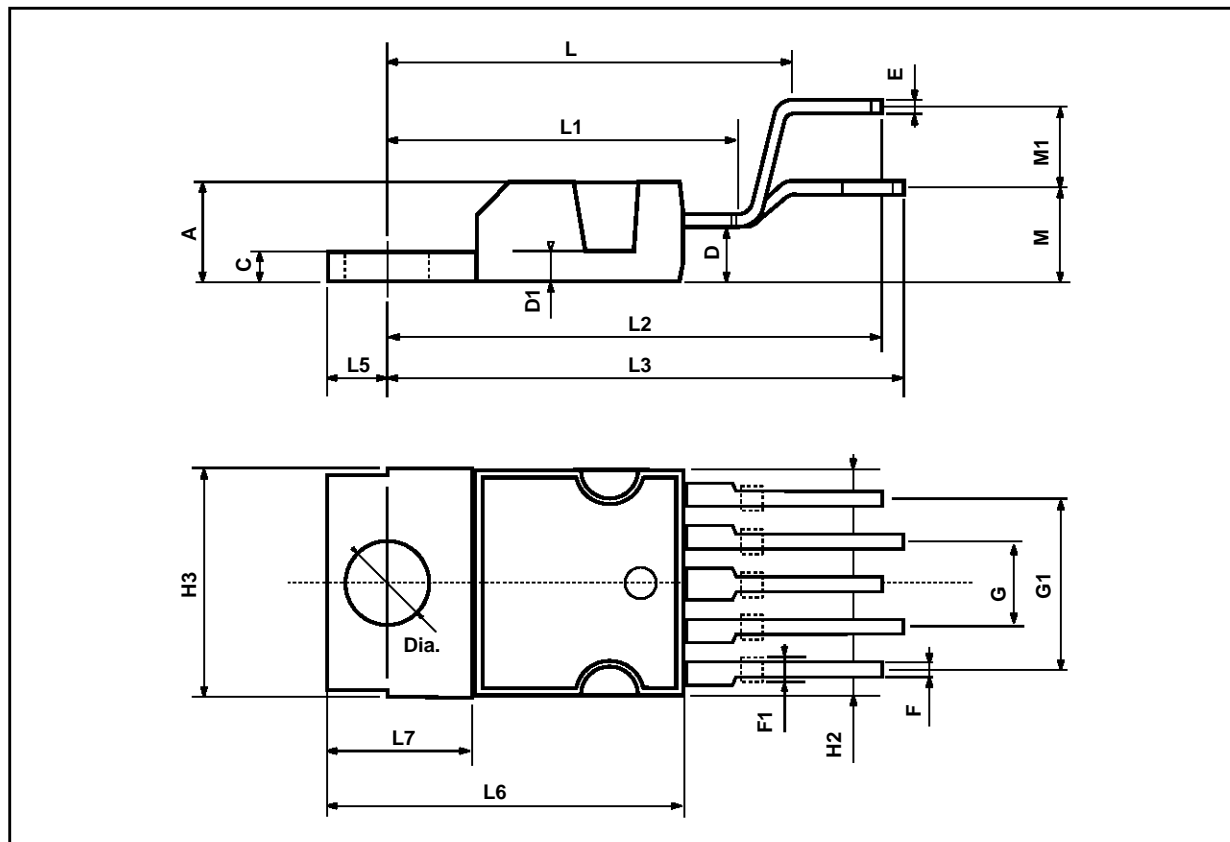
PEAK POWER = 100W typ

Figure 19: Test circuit for peak power measurement



PENTAWATT PACKAGE MECHANICAL DATA

DIM.	mm			inch		
	MIN.	TYP.	MAX.	MIN.	TYP.	MAX.
A			4.8			0.189
C			1.37			0.054
D	2.4		2.8	0.094		0.110
D1	1.2		1.35	0.047		0.053
E	0.35		0.55	0.014		0.022
F	0.8		1.05	0.031		0.041
F1	1		1.4	0.039		0.055
G		3.4		0.126	0.134	0.142
G1		6.8		0.260	0.268	0.276
H2			10.4			0.409
H3	10.05		10.4	0.396		0.409
L		17.85			0.703	
L1		15.75			0.620	
L2		21.4			0.843	
L3		22.5			0.886	
L5	2.6		3	0.102		0.118
L6	15.1		15.8	0.594		0.622
L7	6		6.6	0.236		0.260
M		4.5			0.177	
M1		4			0.157	
Dia	3.65		3.85	0.144		0.152



Information furnished is believed to be accurate and reliable. However, SGS-THOMSON Microelectronics assumes no responsibility for the consequences of use of such information nor for any infringement of patents or other rights of third parties which may result from its use. No license is granted by implication or otherwise under any patent or patent rights of SGS-THOMSON Microelectronics. Specifications mentioned in this publication are subject to change without notice. This publication supersedes and replaces all information previously supplied. SGS-THOMSON Microelectronics products are not authorized for use as critical components in life support devices or systems without express written approval of SGS-THOMSON Microelectronics.

© 1994 SGS-THOMSON Microelectronics - All Rights Reserved  
PENTAWATT® is a Registered Trademark of SGS-THOMSON Microelectronics

SGS-THOMSON Microelectronics GROUP OF COMPANIES

Australia - Brazil - France - Germany - Hong Kong - Italy - Japan - Korea - Malaysia - Malta - Morocco - The Netherlands - Singapore - Spain - Sweden - Switzerland - Taiwan - Thailand - United Kingdom - U.S.A.